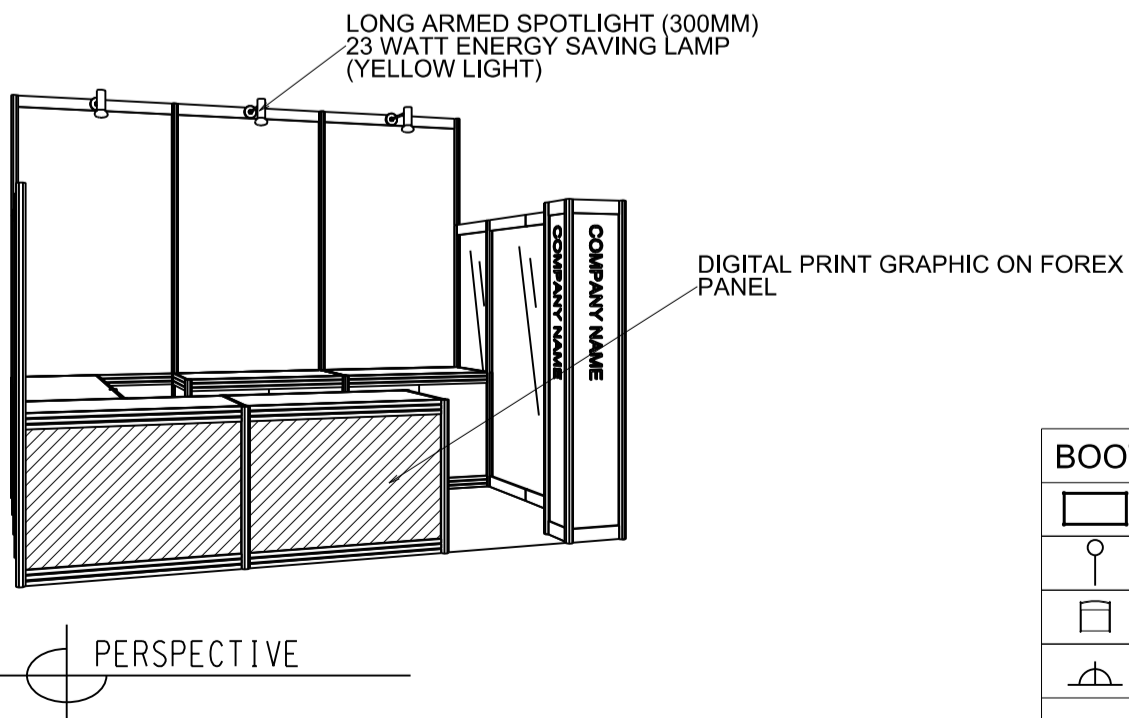
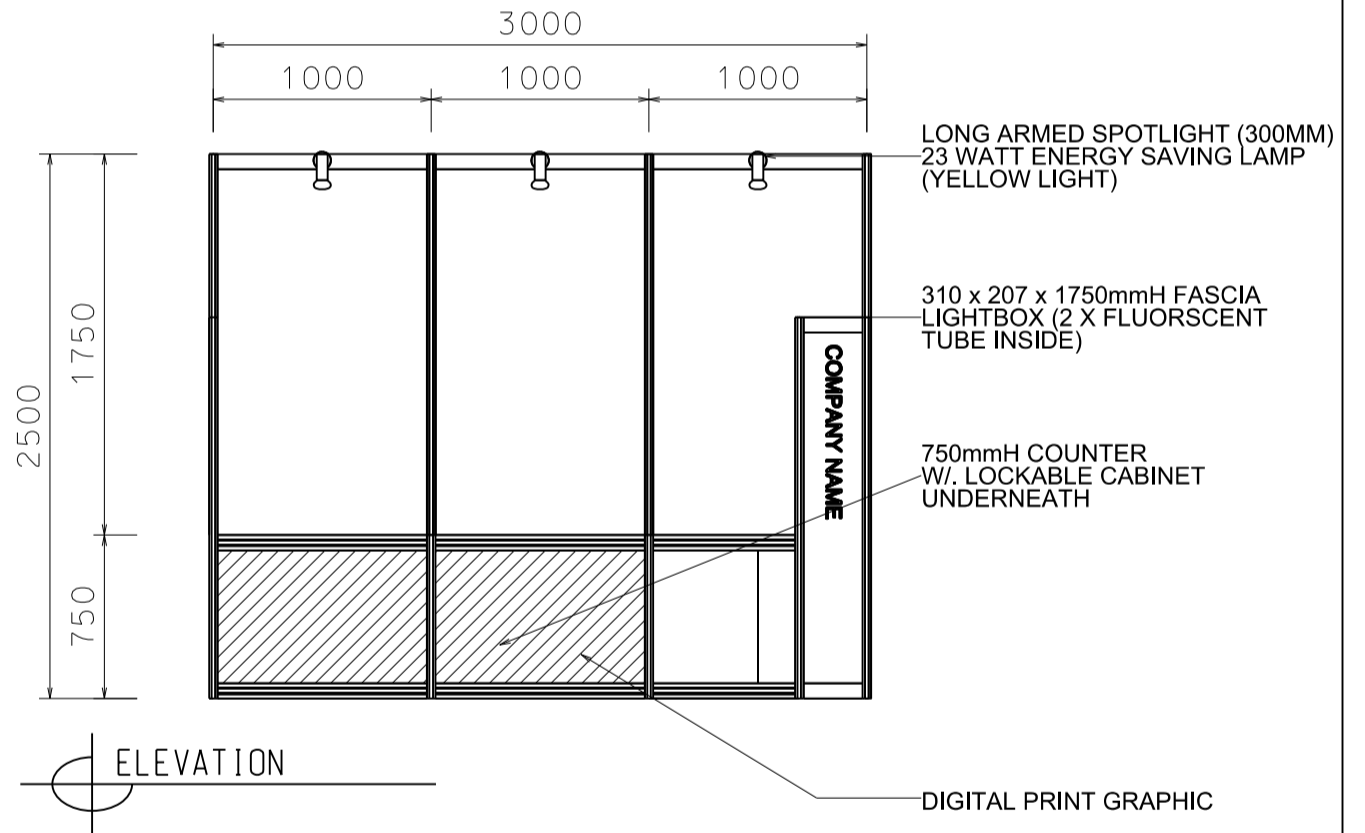
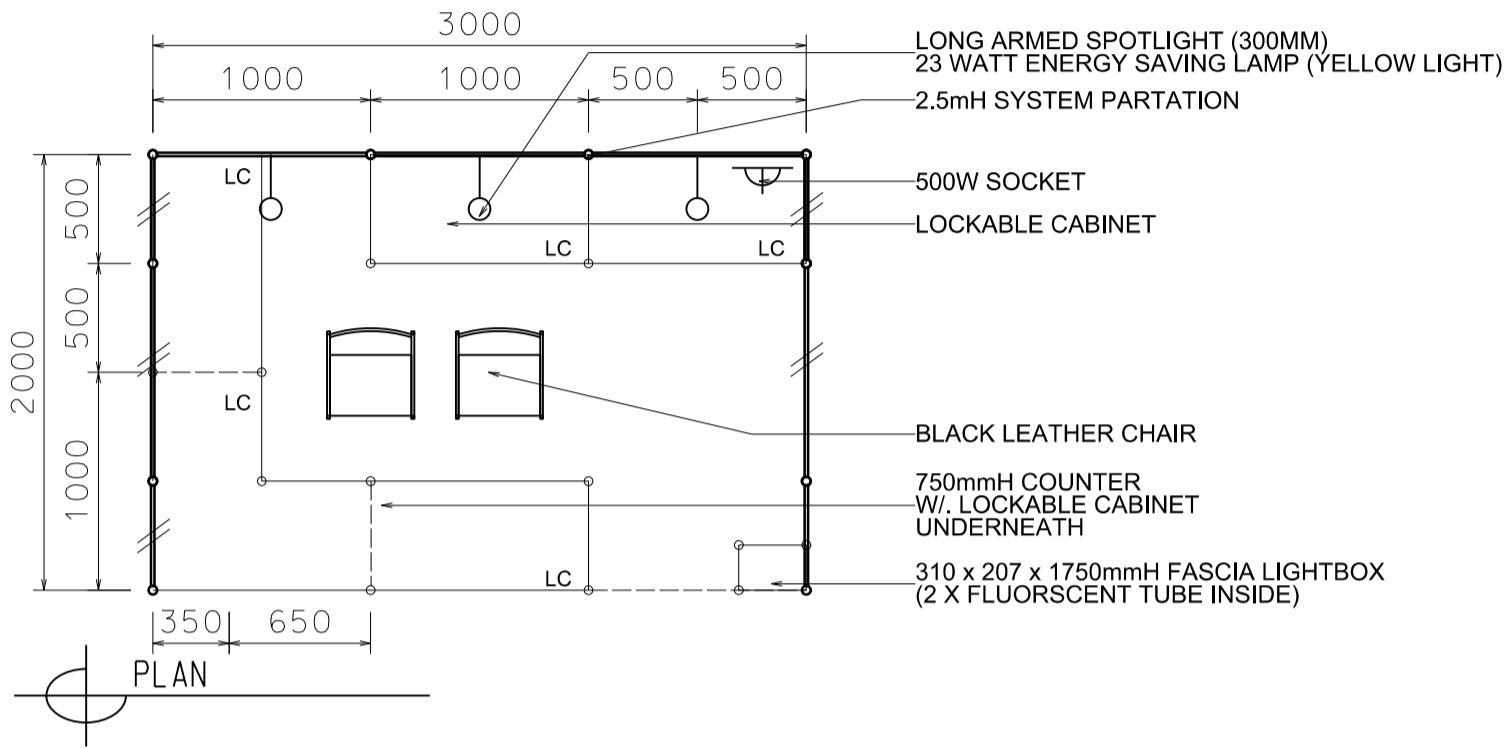


3M x 2M GOURMET ZONE BOOTH (OPTION A)

三米乘二米標準攤位

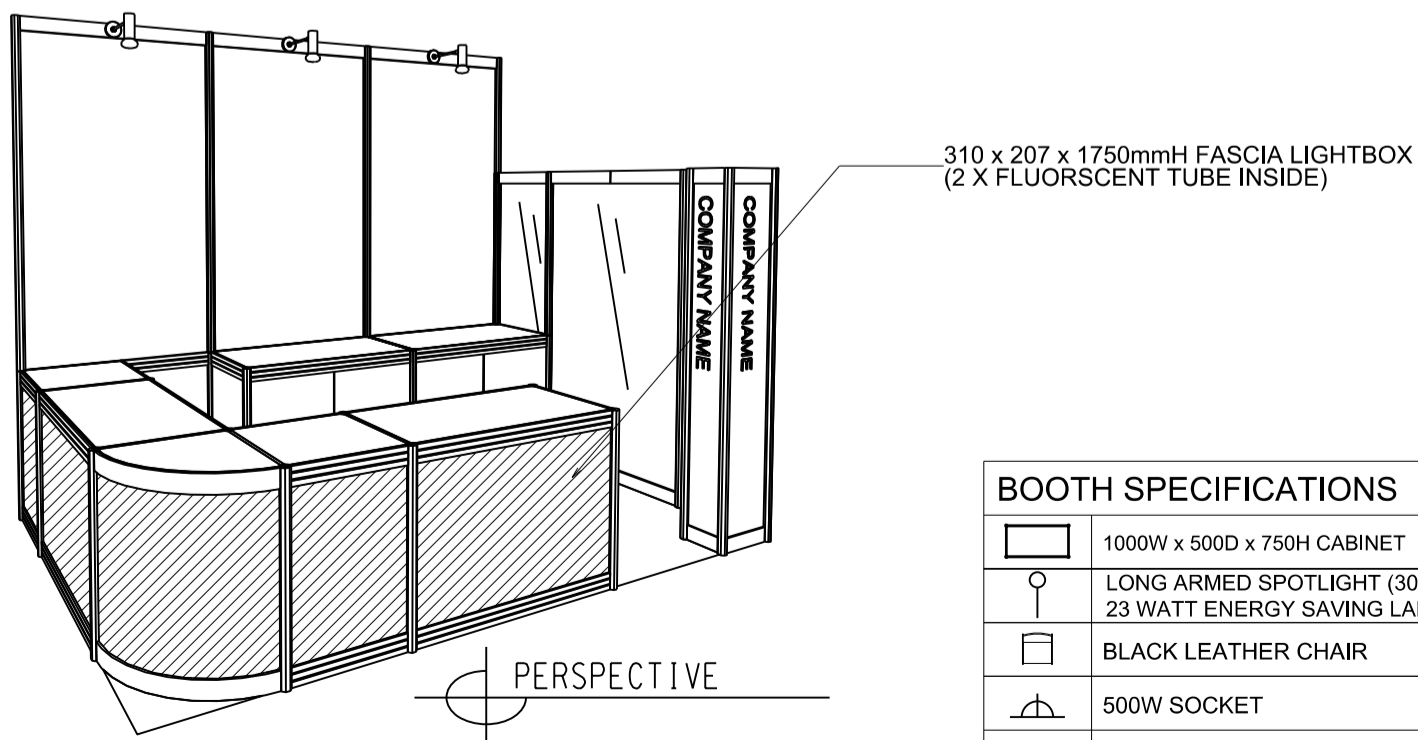
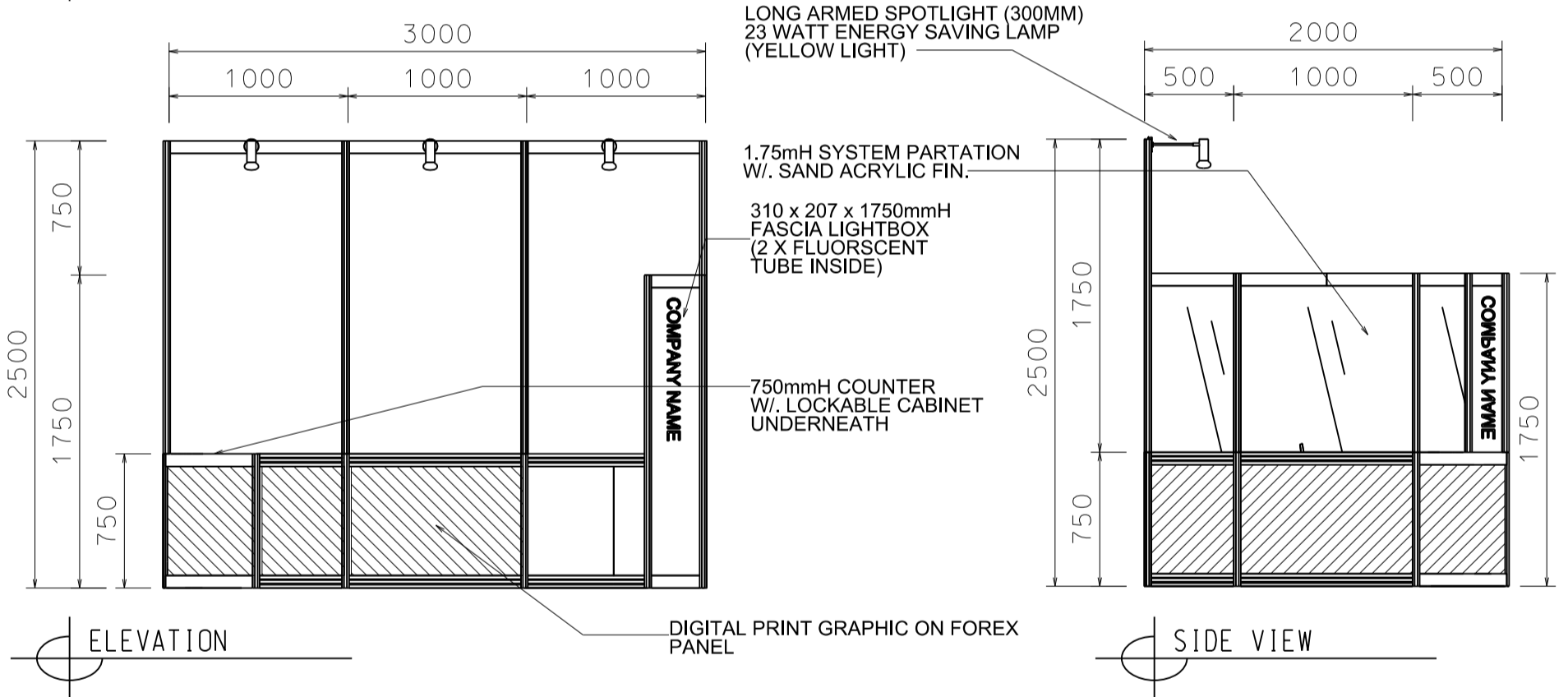
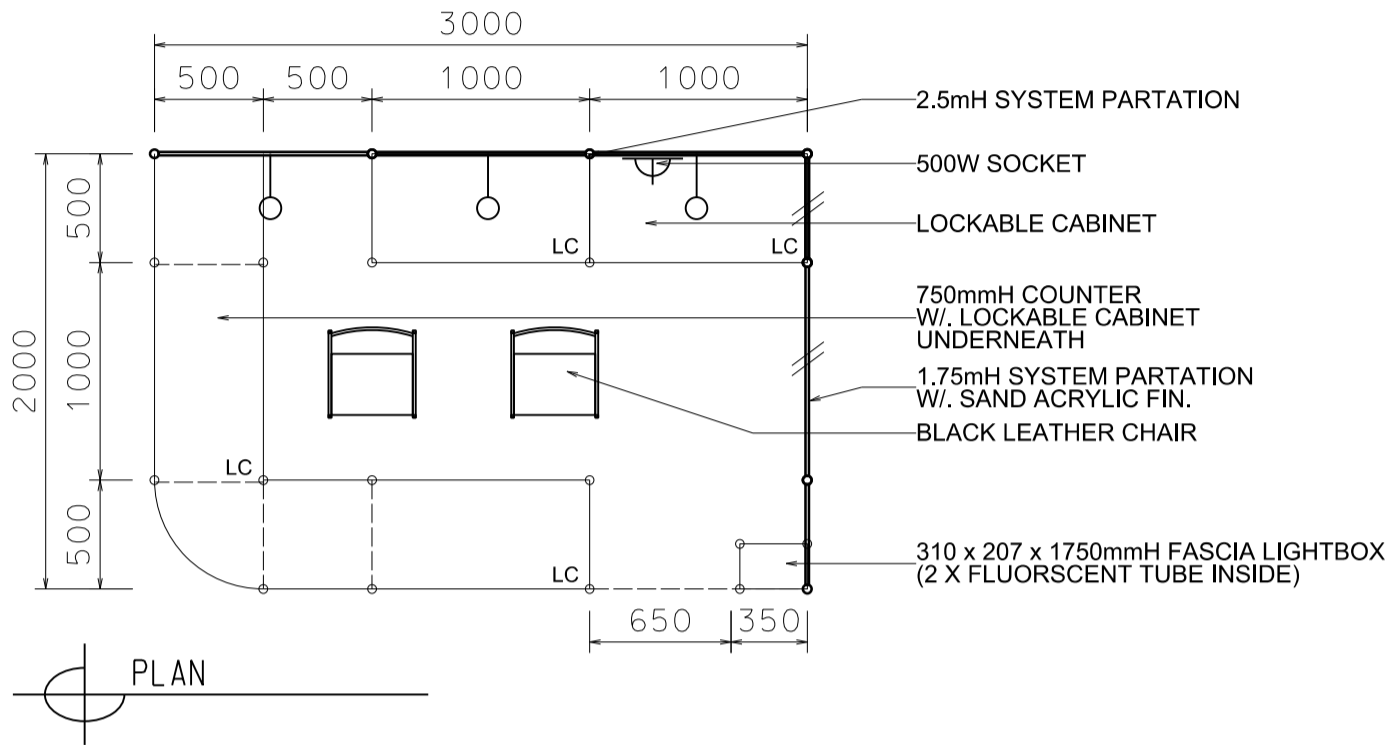


| BOOTH SPECIFICATIONS | | QTY. |
|----------------------|--|------|
| | 1000W x 500D x 750H CABINET | 5.5 |
| | LONG ARMED SPOTLIGHT (300MM) 23 WATT ENERGY SAVING LAMP (YELLOW LIGHT) | 3 |
| | BLACK LEATHER CHAIR | 2 |
| | 500W SOCKET | 1 |
| | RUBBISH BIN & CARPET (6sqm.) | |

*The Hong Kong Trade Development Council reserves the right to change the configuration if necessary.

3M x 2M GOURMET ZONE LEFT CORNER BOOTH (OPTION A)

三米乘二米角位攤位

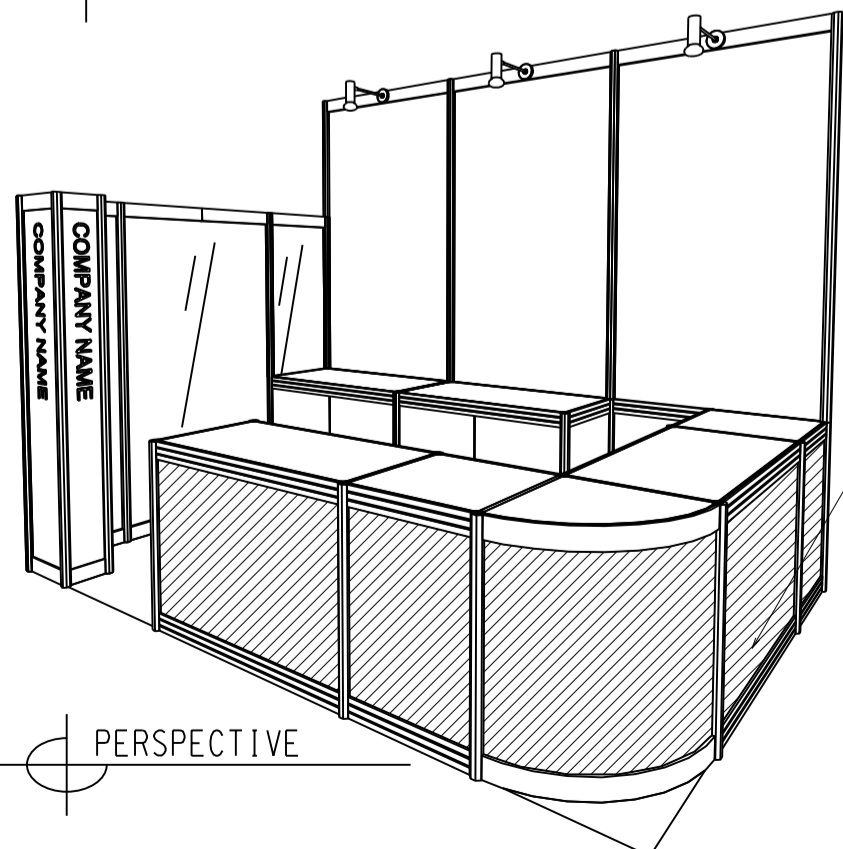
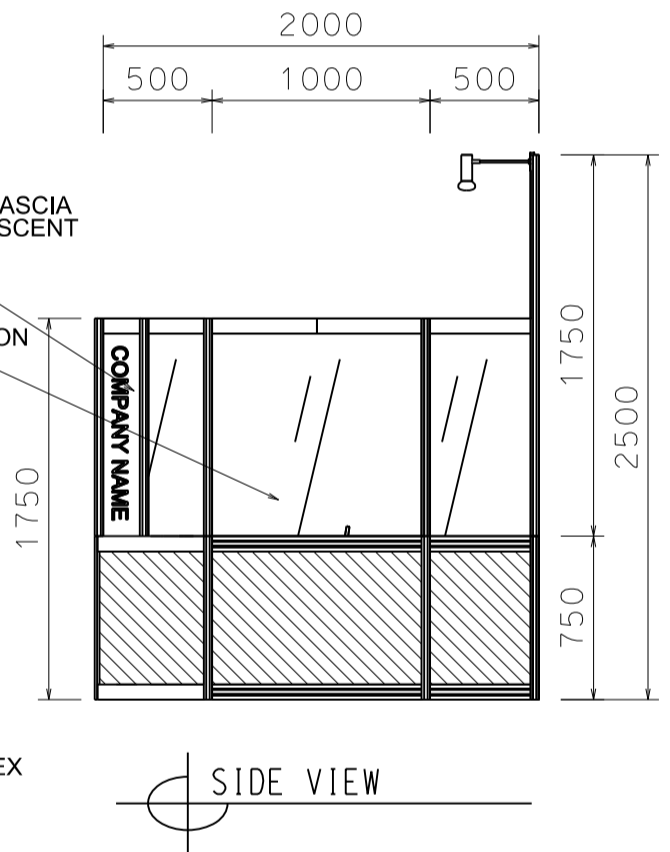
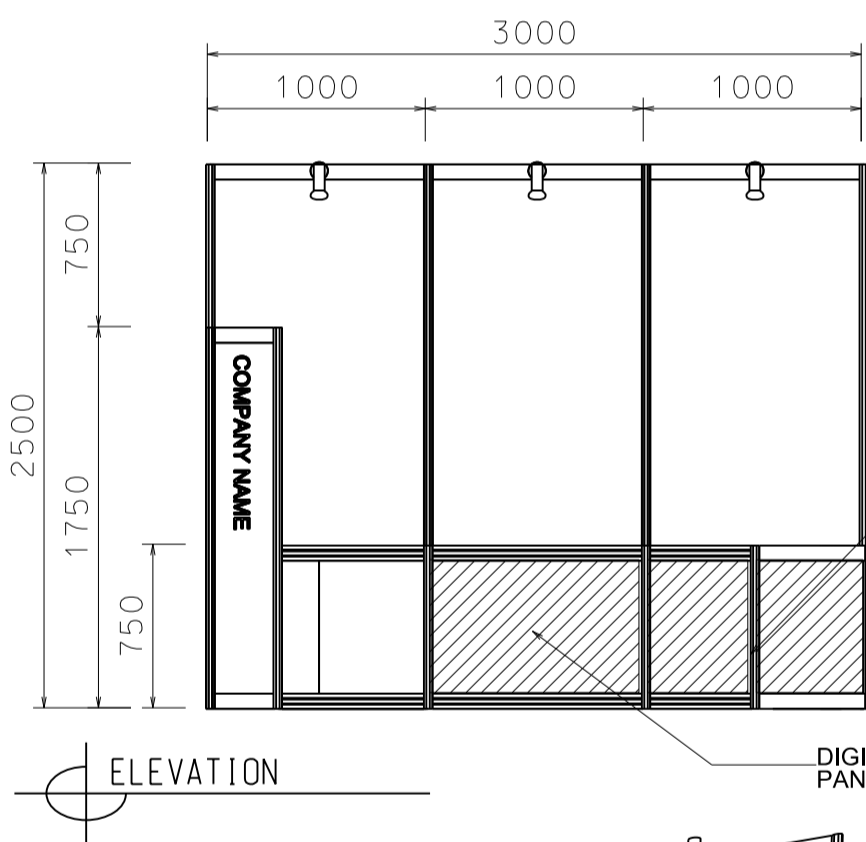
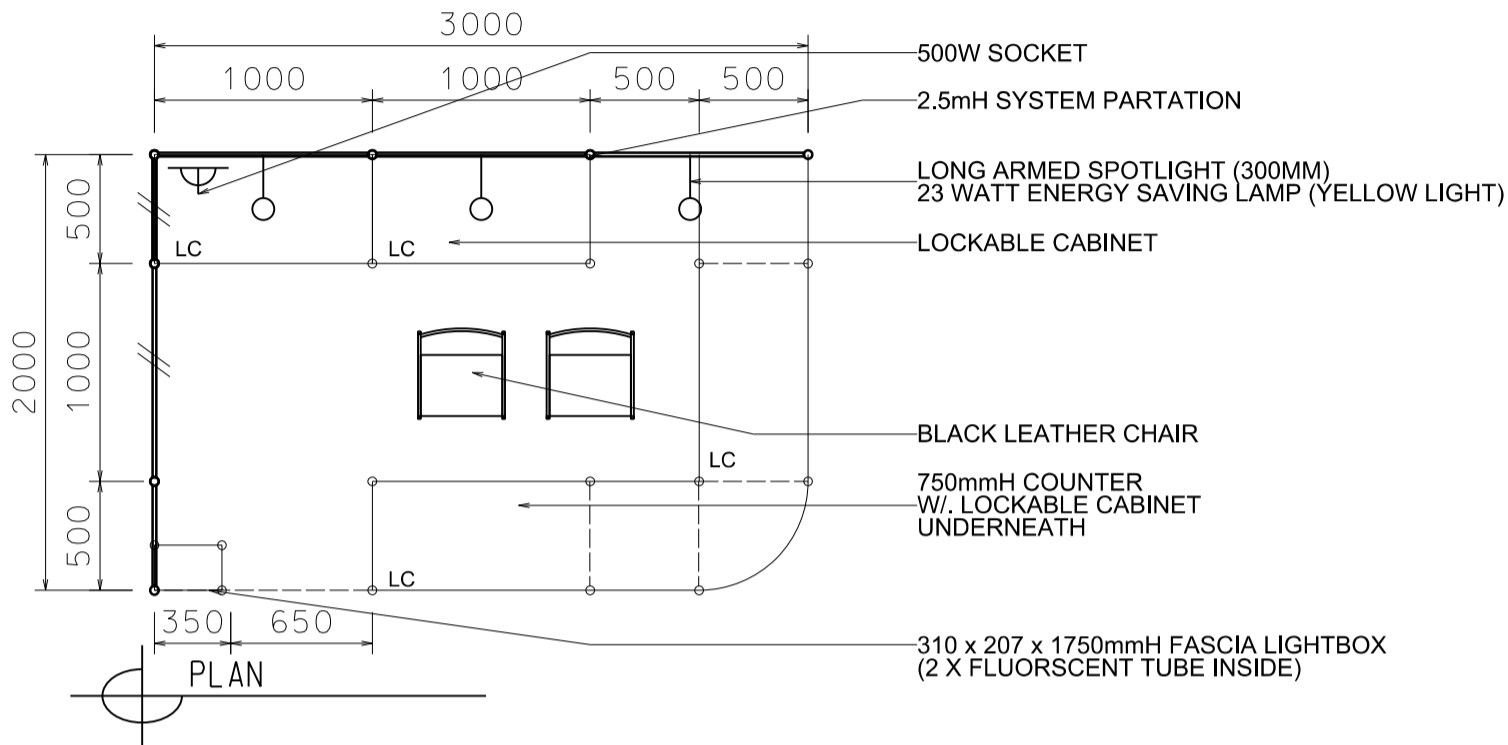


| BOOTH SPECIFICATIONS | | QTY. |
|----------------------|--|------|
| | 1000W x 500D x 750H CABINET | 5.5 |
| | LONG ARMED SPOTLIGHT (300MM) 23 WATT ENERGY SAVING LAMP (YELLOW LIGHT) | 3 |
| | BLACK LEATHER CHAIR | 2 |
| | 500W SOCKET | 1 |
| | RUBBISH BIN & CARPET (6sqm.) | |

*The Hong Kong Trade Development Council reserves the right to change the configuration if necessary.

3M x 2M GOURMET ZONE RIGHT CORNER BOOTH (OPTION A)

三米乘二米角位攤位



| BOOTH SPECIFICATIONS | | QTY. |
|----------------------|---|------|
| | 1000W x 500D x 750H CABINET | 5.5 |
| | LONG ARMED SPOTLIGHT (300MM) 23 WATT ENERGY SAVING LAMP (YELLOW LIGHT) | 3 |
| | BLACK LEATHER CHAIR | 2 |
| | 500W SOCKET | 1 |
| | RUBBISH BIN & CARPET (6sqm.) | |

*The Hong Kong Trade Development Council reserves the right to change the configuration if necessary.